

DRUM COMPACTOR

BHDC Series

SURVEY SHEET

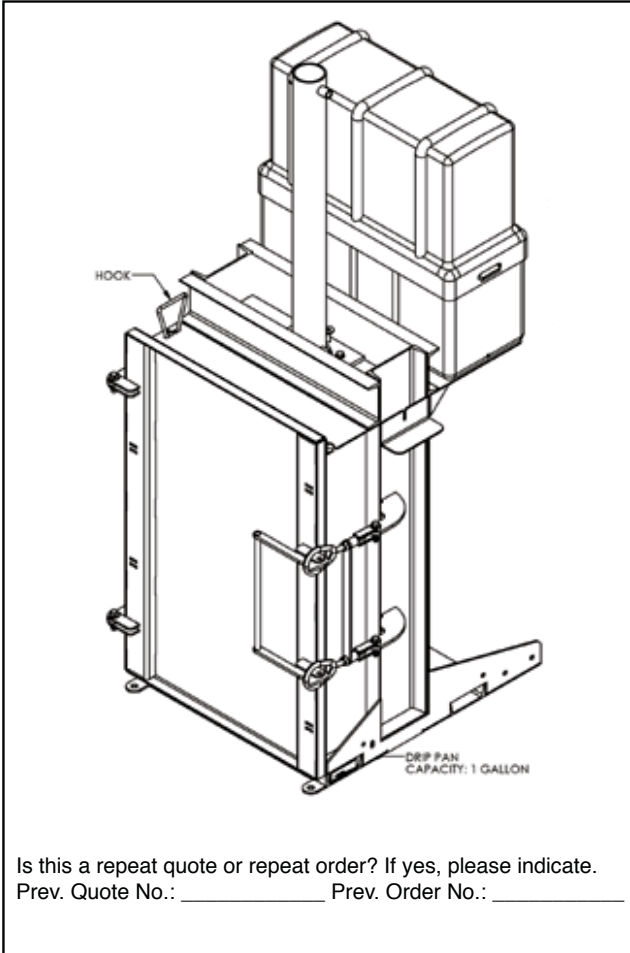


BEACON INDUSTRIES, INC. 12300 Old Tesson Rd.

St. Louis, MO 63128-2247 USA

OFFICE: 314-487-7600 FAX: 314-487-0100

Complete and return this form to the factory or your distributor. A professional will evaluate your needs and provide you with more information.



CUSTOMER INFORMATION

CONTACT: _____

COMPANY: _____

PHONE: _____

EMAIL: _____

CONTAINER SIZE

_____ 55 GALLON DRUM

_____ 30 GALLON DRUM

_____ OTHER

IF NOT STANDARD DRUM SIZE PLEASE DESCRIBE: _____

DRUM MATERIAL: _____

*STRAIGHT SIDED DRUMS CANNOT BE CRUSHED

PAINT COLOR

_____ STANDARD ERGO BLUE

_____ RAL#

_____ SPECIAL COLOR

_____ COLOR NAME

POWER (CHECK ONE)

A/C

_____ 220V, 1-PHASE, AMP HOUR REQ. 30

_____ 208-230V, 3-PHASE, AMP HOUR REQ. 20

_____ 460V, 3-PHASE, AMP HOUR REQ. 10

_____ OTHER

OPTIONS (*ALL OPTIONS MAY NO BE AVAILABLE ON ALL MODELS.)

_____ HIGH CYCLE, HDC-905-HC

_____ WASH DOWN, HDC-905-WD

_____ GAS POWERED/PORTABLE, HDC-900-GPT

ADDITIONAL OPTIONS: _____

APPLICATION INFORMATION

DUTY CYCLE: _____ STARTS PER HOUR: _____ HOURS PER SHIFT: _____

SHIFTS PER DAY: _____ DAYS PER WEEK: _____

DUTY CYCLE IS CALCULATED BY STARTS PER HOUR OR NUMBER OF TIMES "UP" BUTTON IS PUSHED.

SPECIAL TEMPERATURE REQUIREMENTS: _____

ARE THERE OVERHEAD HEIGHT RESTRICTIONS? _____

OTHER SPECIAL REQUESTS OR APPLICATION INFORMATION: _____

*NO DRUM CRUSHERS FOR CLASSIFIED LOCATIONS